

To bring you intelligent
manufacturing

Web: www.bochu.com

Hotline: +86(21)64309023

Fax: +86(21)64308817

Address: No. 1000, South Lanxianghu Road,
Minhang District, Shanghai

© Shanghai BOCHU Electronic Technology Co., Ltd. All Rights Reserved.



 **BOCHU**

S9 Series High-Speed Servo Set Laser Processing Solution

Shanghai BOCHU Electronic Technology Co., Ltd.

www.bochu.com



Cost-effective

Better quality
Lower price



Simplicity

Plug and play design
Simple and convenient batch debugging



High performance

Output torque: 300%
Max Rev: 5000rpm



Quick response

Technique support team
24-hour service nationwide



International CE certification

All products in the series
certificated by SGS



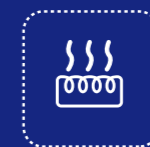
Full protection

Servo set protected by dynamic
braking and integrated STO



Various power types

Less electronic transformer
Lower cost while higher stability



Efficient heat dissipation

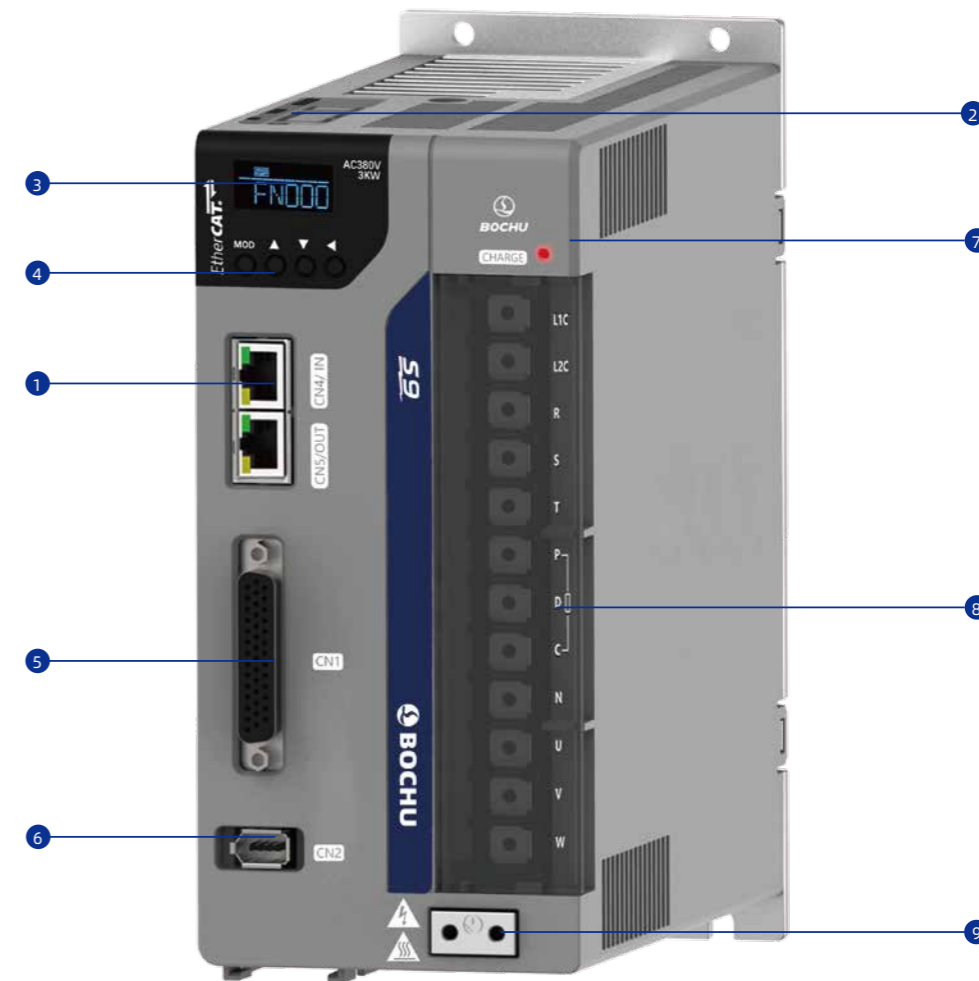
Book-style seamless installation
Space-saving



POWER RUN LINK SENSOR



- 1 Bus system: EtherCAT
- 2 Mini USB: Backend software API
- 3 6-Digit LCD display
- 4 Button
- 5 I/O Signal
- 6 Encoder
- 7 CHARGE light
- 8 AC Power Supply; Servo motor; External regeneration resistor



- 1 Bus system: EtherCAT
- 2 Mini USB: Backend software API
- 3 6-Digit LCD display
- 4 Button
- 5 I/O Signal
- 6 Encoder
- 7 CHARGE light
- 8 AC Power Supply; Servo motor; External regeneration resistor
- 9 Ground

BMS - 04 B E - A

Drive

BMS	BMS series
-----	------------

Version

A

Control mode

E	EtherCAT
---	----------

Rated output power

01	100W
02	200W
04	400W
08	750W
11	1.1kW
17	1.7kW
24	2.4kW
30	3.0kW
39	3.9kW
59	5.9kW
75	7.5kW

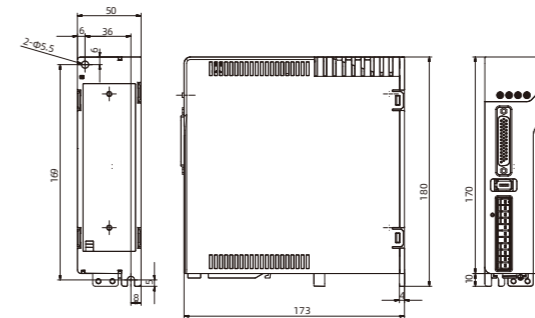
Voltage

B	220V
C	380V

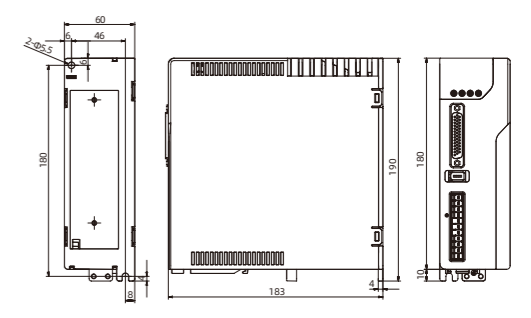


Drive	Shell Number	Rated power	Power Supply Voltage
BMS-01BE-A	SizeA	100W	Single-phase power 220V
BMS-02BE-A	SizeA	200W	Single-phase power 220V
BMS-04BE-A	SizeA	400W	Single-phase power 220V
BMS-08BE-A	SizeA	750W	Single-phase power 220V
BMS-11BE-A	SizeB	1.1kW	Single-phase 220V/Three-phase 220V
BMS-17BE-A	SizeB	1.7kW	Single-phase 220V/Three-phase 220V
BMS-24CE-A	SizeC	2.4kW	Three-phase power 380V
BMS-30CE-A	SizeC	3.0kW	Three-phase power 380V
BMS-39CE-A	SizeD	3.9kW	Three-phase power 380V
BMS-59CE-A	SizeD	5.9kW	Three-phase power 380V
BMS-75CE-A	SizeD	7.5kW	Three-phase power 380V

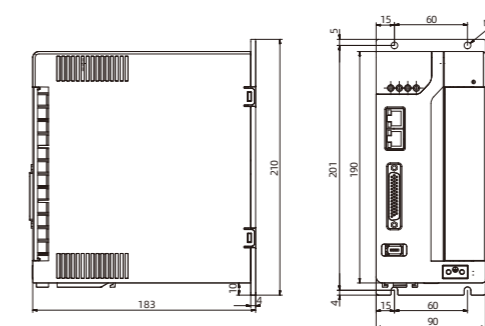
BMS series 100W-750W



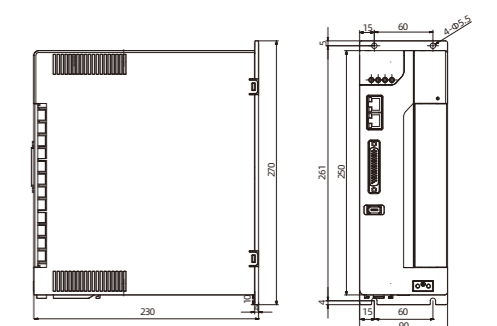
BMS series 1.1kW-1.7kW



BMS series 2.4kW-3.0kW



BMS series 3.9kW-7.5kW



BMR-Z02B06030M11-A

Motor Series

BMR

Motor Inertia

D-Low inertia
Z-Medium inertia
G-High inertia

Motor Power

01	100W
02	200W
04	400W
08	750W
11	1.1kW
17	1.7kW
24	2.4kW
39	3.9kW
59	5.9kW
55	5.5kW
75	7.5kW

Voltage

B-220V
C-380V

Serial Number

Accessories

0-None
1-With oil seal, no brake
2-With oil seal & brake
3-With brake, no oil seal

Output Shaft Method

1-Straight shaft, with key
2-Straight shaft, without key

Encoder type

C-17-bit incremental
K-17-bit absolute
M-23-bit absolute

*Optional cables support multi-loop absolute

Rated Speed

20-2000
30-3000

Flange Size

040-40mm
060-60mm
080-80mm
130-130mm
180-180mm

BMS Series Servo Motor



BMR Series Medium Inertia Servo Motor

BMR series Technical Data

- Nature Cooling Operating voltage 200-250 VAC

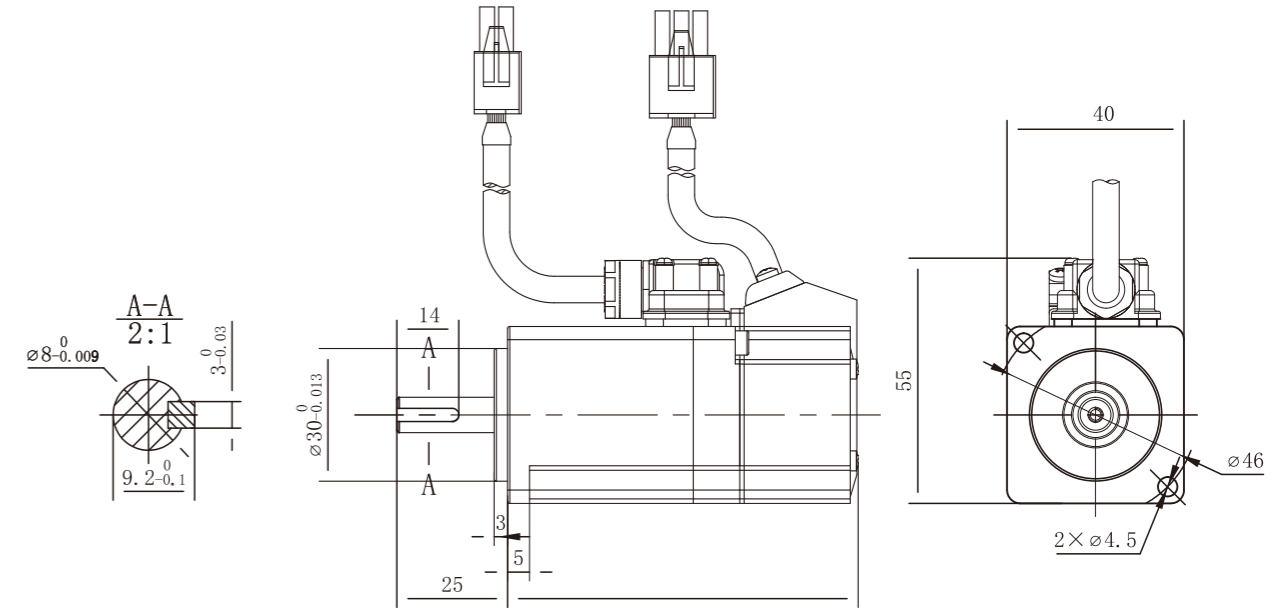
Motor Model		BMR-Z01B04030XXX-A □40mm	BMR-Z02B06030XXX-A □60mm	BMR-Z04B06030XXX-A □60mm	BMR-Z08B08030XXX-A □80mm	
Rated Data						
Rated power	P_N	kW	0.10	0.20	0.40	0.75
Rated Voltage	U_N	V	220	220	220	220
Rated Speed	n_N	r/min	3000	3000	3000	3000
Rated Torque	M_N	Nm	0.32	0.64	1.27	2.4
Rated Current	I_N	A	1.0	1.4	2.8	3.8
Maximum Value						
Max Rotation	n_{Max}	r/min	6000	6000	6000	6000
Max Torque	M_{Max}	Nm	0.96	1.92	3.81	7.20
Max Current	I_{Max}	A	3.0	4.2	8.4	11.4
Motor Data						
Moment of Inertia (No brake)	J	kgcm ²	0.05	0.29	0.53	1.62
Moment of Inertia (With brake)	J_b	kgcm ²	0.053	0.32	0.56	1.72
Protection Grade (Machine)			IP65	IP65	IP65	IP65

BMS Series Servo Motor

Dimensions Unit: mm



• **BMR-Z01B04030XXX-A**



BMR Series High Inertia Servo Motor

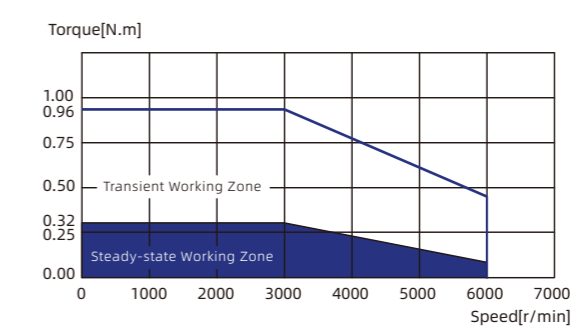
BMR series Technical Data

• **Nature Cooling Operating voltage 220-380 VAC**

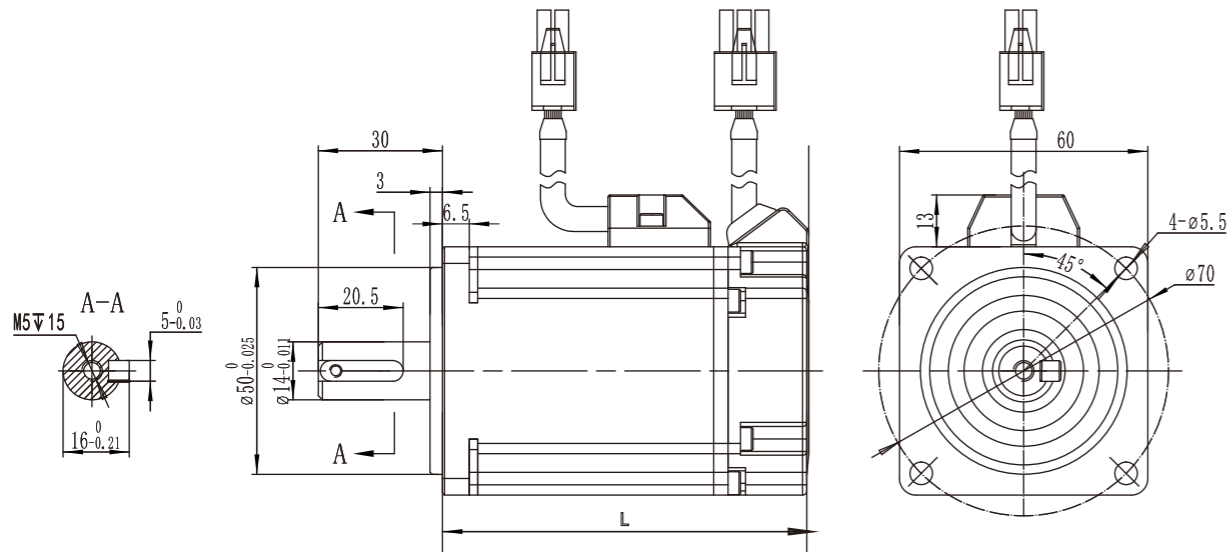
Motor Model			BMR-G11B13020XXX-A □130mm	BMR-G17B13020XXX-A □130mm	BMR-G24C13020XXX-A □130mm	BMR-G39C18020XXX-A □180mm	BMR-G59C18020XXX-A □180mm	BMR-G55C18015XXX-A □180mm	BMR-G75C18015XXX-A □180mm
Rated Data									
Rated power	P	kW	1.1	1.7	2.4	3.9	5.9	5.5	7.5
Rated Voltage	U_N	V	220	220	380	380	380	380	380
Rated Speed	n_N	r/min	2000	2000	2000	2000	2000	1500	1500
Rated Torque	M_N	Nm	5.39	8.34	11.5	18.6	28.4	35	48
Rated Current	I	A	7.5	12	9.5	14.5	21.9	20.8	26
Maximum Value									
Max Rotation	n_{max}	r/min	5000	5000	5000	5000	5000	3000	3000
Max Torque	M_{max}	Nm	16.17	25.02	32.2	55.8	85.2	105	120
Max Current	I_{max}	A	22.5	36	26.6	42	65.7	62.4	65
Motor Data									
Moment of Inertia (No brake)	J	kgcm ²	14.8	16.9	21.4	63.5	88.5	114.4	136.6
Moment of Inertia (With brake)	J_b	kgcm ²	16.03	18.13	22.63	69.5	94.5	120.4	142.6
Protection Grade (Machine)			IP65	IP65	IP65	IP65	IP65	IP65	IP65

Motor Model	Motor Length L (No brake)	Motor Length L (With brake)
BMR-Z01B04030XXX-A	79.5	112.5

• **BMR-Z01B04030XXX-A**

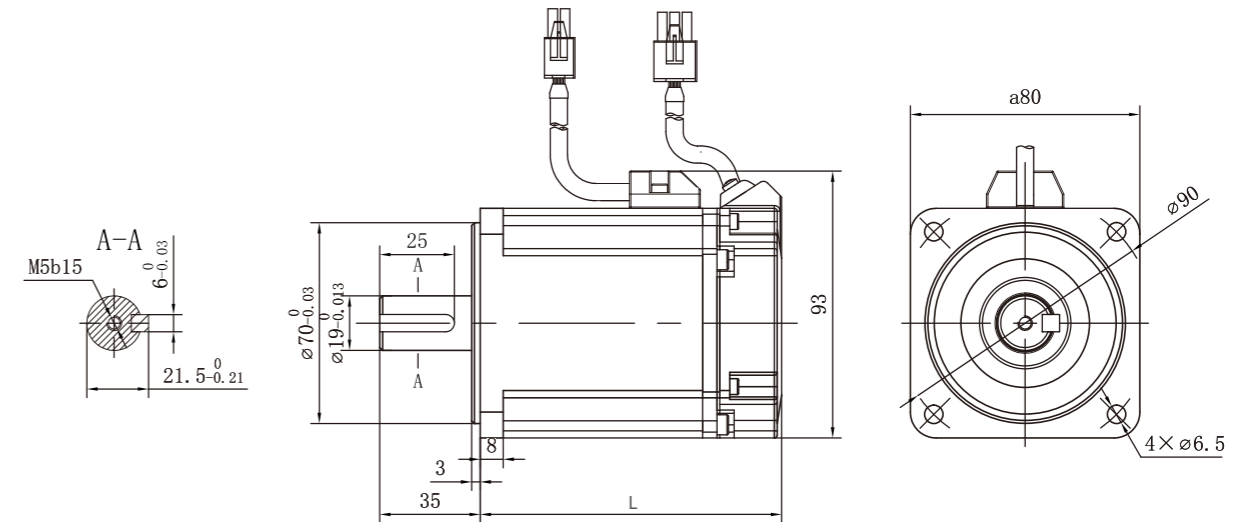


• BMR-ZXXB06030XXX-A



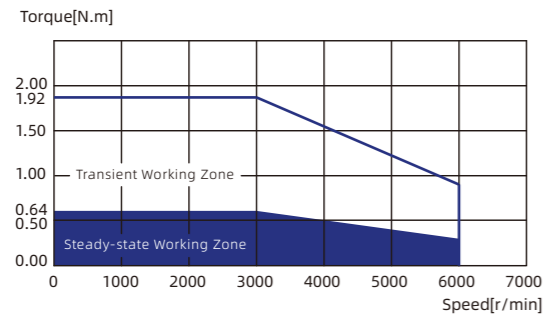
Motor Model	Motor Length L (No brake)	Motor Length L (With brake)
BMR-Z02B06030XXX-A	77.2	109.2
BMR-Z04B06030XXX-A	93.7	125.7

• BMR-Z08B08030XXX-A

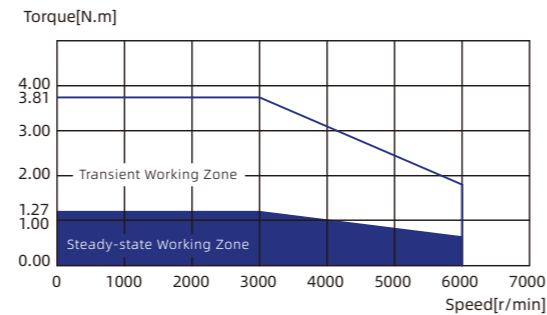


Motor Model	Motor Length L (No brake)	Motor Length L (With brake)
BMR-Z08B08030XXX-A	105	142

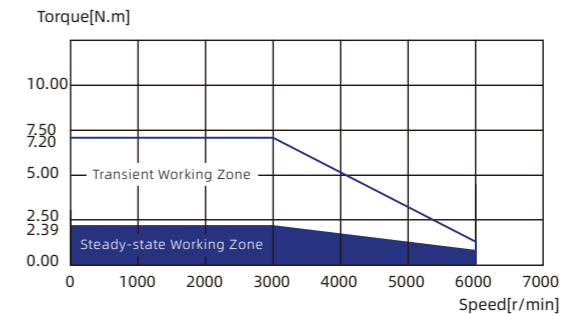
BMR-Z02B06030XXX-A



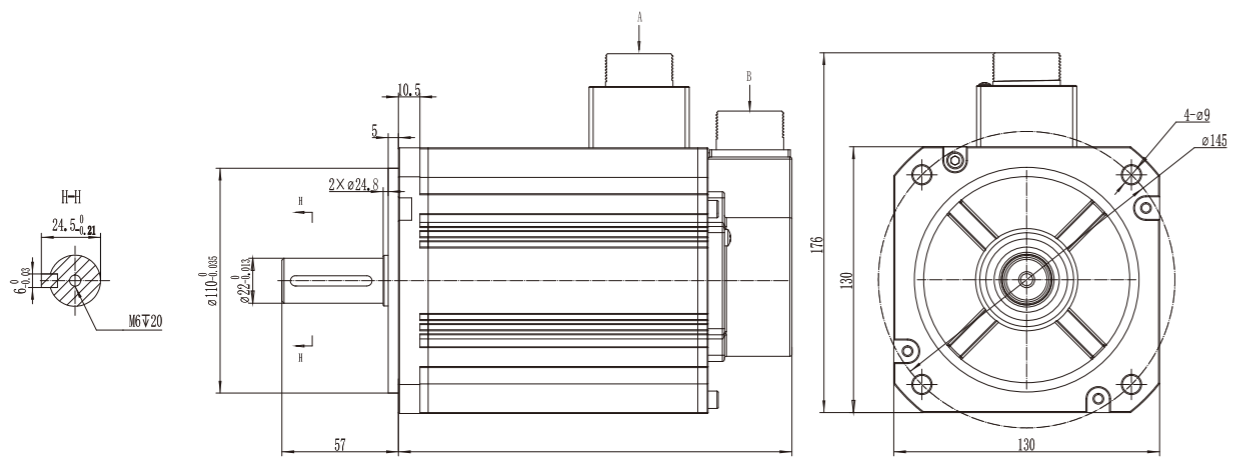
BMR-Z04B06030XXX-A



BMR-Z08B08030XXX-A

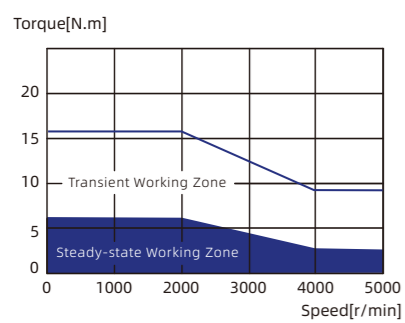


• BMR-GXXX13020XXX-A

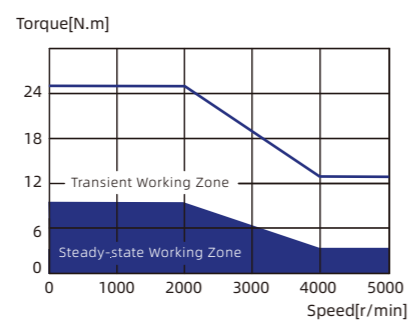


Motor Model	Motor Length L (No brake)	Motor Length L (With brake)
BMR-G11B13020XXX-A	152.5	204.5
BMR-G17B13020XXX-A	152.5	204.5
BMR-G24C13020XXX-A	170	222

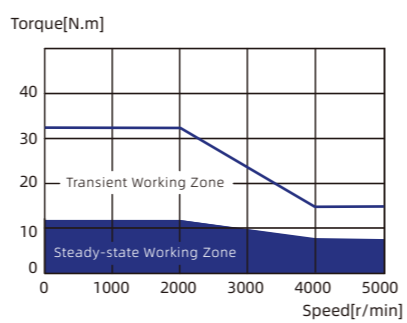
BMR-G11B13020XXX-A



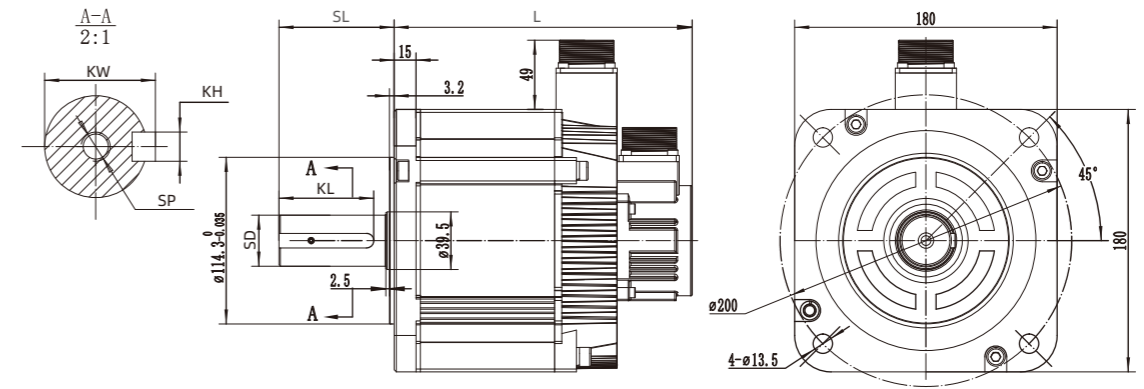
BMR-G17B13020XXX-A



BMR-G24C13020XXX-A

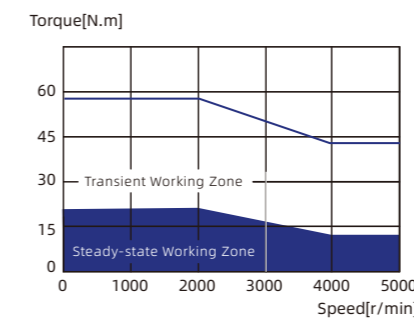


• BMR-GXXC180XXXXX-A

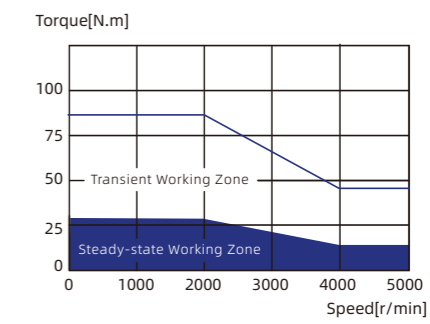


Motor Model	Motor Length L (No brake)	Motor Length L (With brake)	Axis SD	SP	KH	SL	KW	KL
BMR-G39C18020XXX-A	205	252	35	M12, depth 25	10	79	38	65
BMR-G59C18020XXX-A	232	279	35	M12, depth 25	10	79	38	65
BMR-G55C18015XXX-A	260	307	42	M16, depth 32	12	113	45	95
BMR-G75C18015XXX-A	284	331	42	M16, depth 32	12	113	45	95

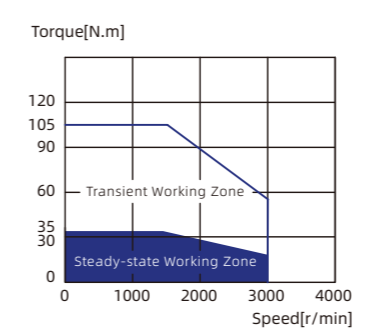
BMR-G39C18020XXX-A



BMR-G59C18020XXX-A



BMR-G55C18015XXX-A



BMR-G75C18015XXX-A

